



ISO 9001
Certificate



ISO 14001
Certificate



SIGMA

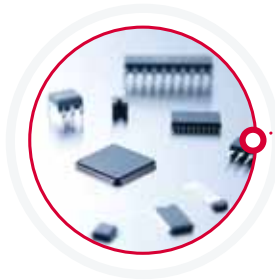
Your Elevator Partner
www.sigmaelevators.com

Movingwalks Public Escalator



Your Elevator Partner... SIGMA

SIGMA Ride tomorrow, Lift future



Korean Engineered Products

SIGMA products are engineered by highly qualified Korean engineers and ensure customers to receive excellent products with reliable quality.



Aesthetics Design Excellence

SIGMA's Design Center in Korea and China are fully equipped with professionals who follow the most up-to-date aesthetic designs to satisfy customers needs.



Global Network

SIGMA has been with you for more than 45 years serving over 60 Countries.



SIGMA has already exported approximately 100,000 elevators worldwide since year 1978

● SIGMA SUBS ● DISTRIBUTORS



Khalid Al Attar Tower
UAE



Al Rames Tower
Qatar



Darwaza Tower
Kuwait



Vorobiev Gory
Russia



Triumph Palace
Russia



Antei
Russia



Sheraton Hotel
Puerto Rico



Baiyoke Tower
Thailand



Grand Hyatt Hotel
Indonesia



Emerald Tower
Kazakhstan



LG Beijing Tower
China



ASEM Tower
Korea



Intercontinental Hotel
Korea



Korea World Trade Center
Korea



Plaza La Castellana
Venezuela



Torre Global Bank
Panama



Ocean Two
Panama

Stylish

| Steps

- Black stainless steel step(standard)
- Environment-friendly aluminium step in natural color(standard)
- Silver grey stainless steel step(optional)
- Silver grey aluminium step with polished tread(optional)
- Black aluminium step with polished tread(optional)
- Step with yellow demarcation(optional)
- Stainless steel step is not suitable for outdoor installation



| Pallet



Silver Grey Aluminium Type



Stainless Steel Type

| Handrail

- Customers can select multiple colors and different materials to complement the environment



Standard



Option

| Cover Plate

- **Standard** aluminium comb place in natural color and stainless steel active cover plate
- **Optional** cover plate with aluminium golden comb and diamond etching stainless steel aluminium with slipping prevention groove



- Powder coated cover plate or stainless steel cover plate, transparent safety-glass handrail, powder coated skirt panel or stainless steel skirt panel, single row of black plastic brush is optional

| Lighting

- Under step / pallet lighting
- Skirt panel lighting
- Comb plate lighting



Horizontal Movingwalks

Length Max. 80,000mm

Exceptional Safety

Safety is built into every product through a steadfast dedication to innovation

Proven Reliability

Designed and tested to meet the most rigorous standards of reliability

Ecologically Friendly

Reduced environmental impact of materials, lubrication and energy consumption

Quiet Operation

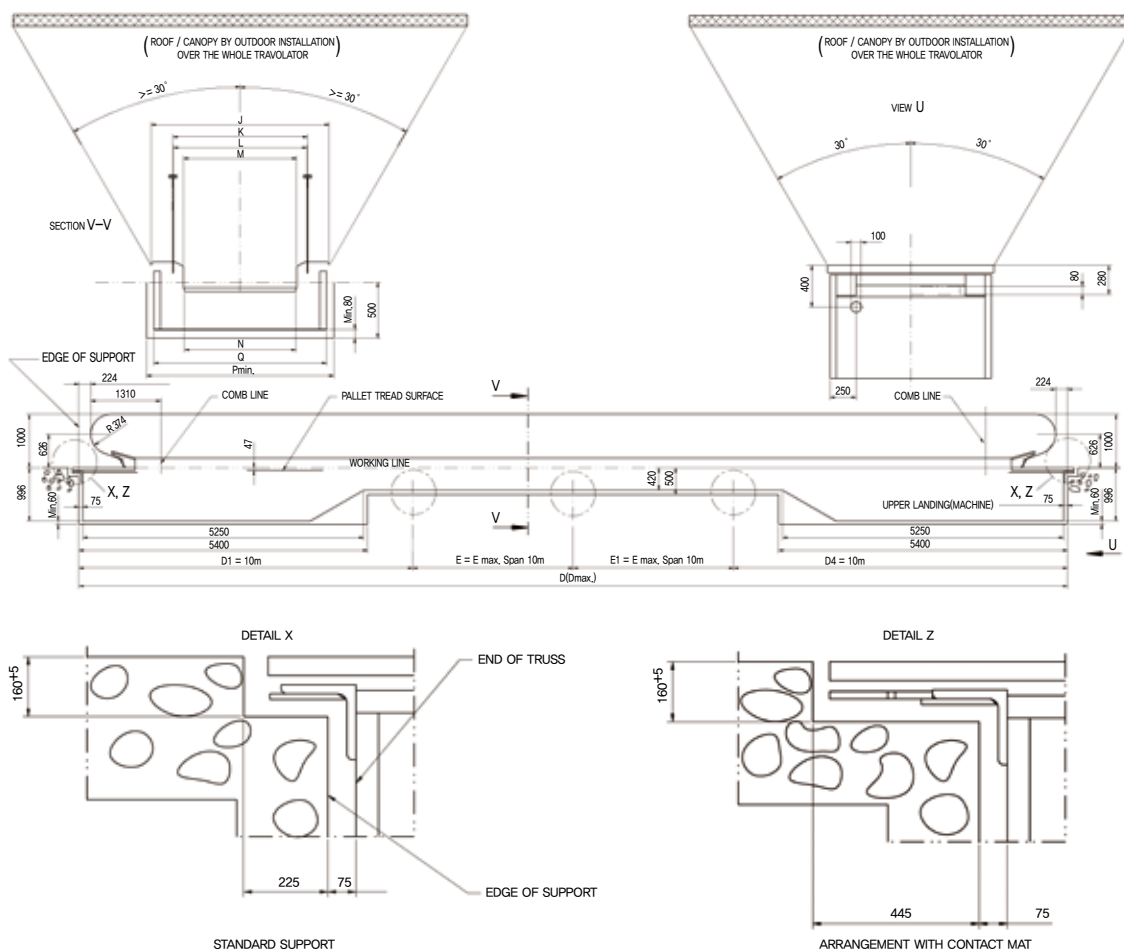
Designed for quiet operation with enhanced noise-reduction packages available

Smooth, Comfortable Ride

Precision engineering and standard installation methods ensures the smoothest ride possible

Elegant Styling

Sleek, contemporary design that complements the look of any space



Dimensions

Unit : mm

Angle of Inclination	Length	Type	J	K	L	M	N	Q
0°	~ 80,000	800	1397	1005	995	813	807.3	1347
		1000	1600	1208	1198	1016	1010.5	1550

